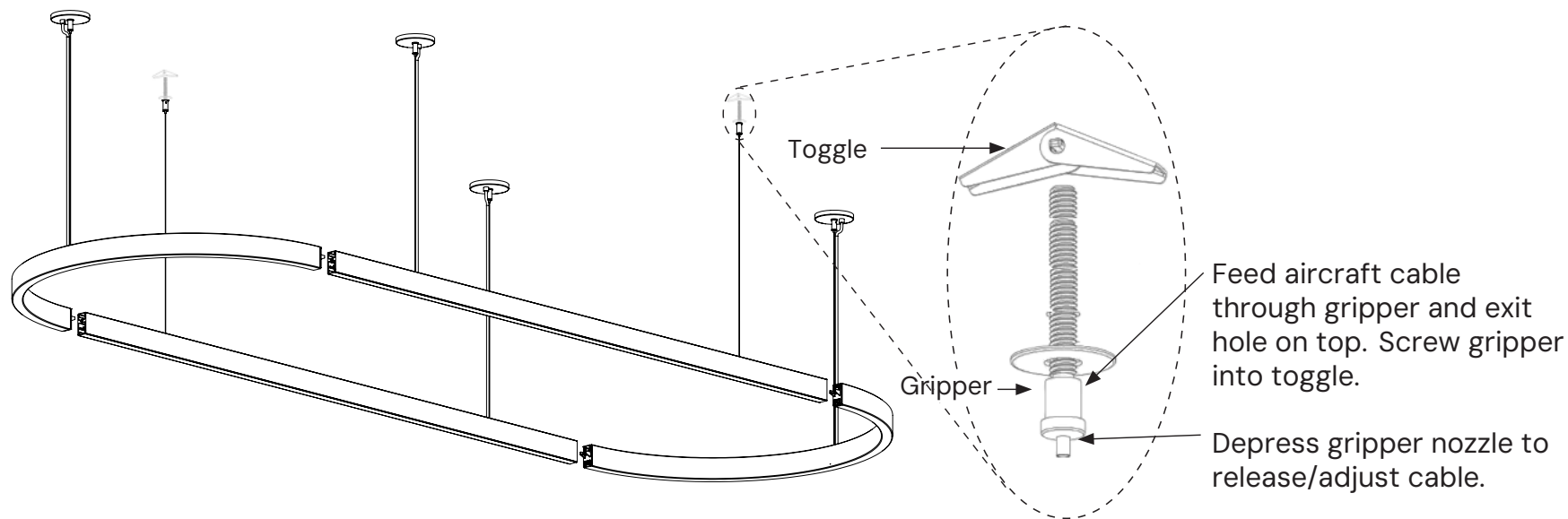
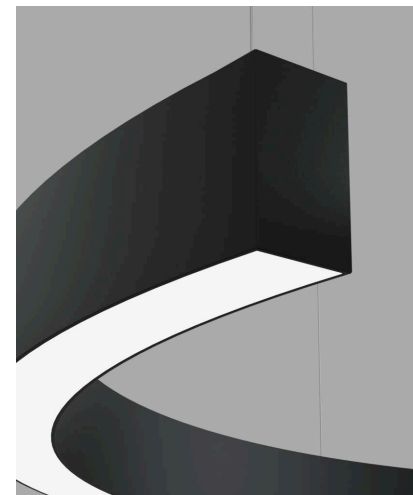





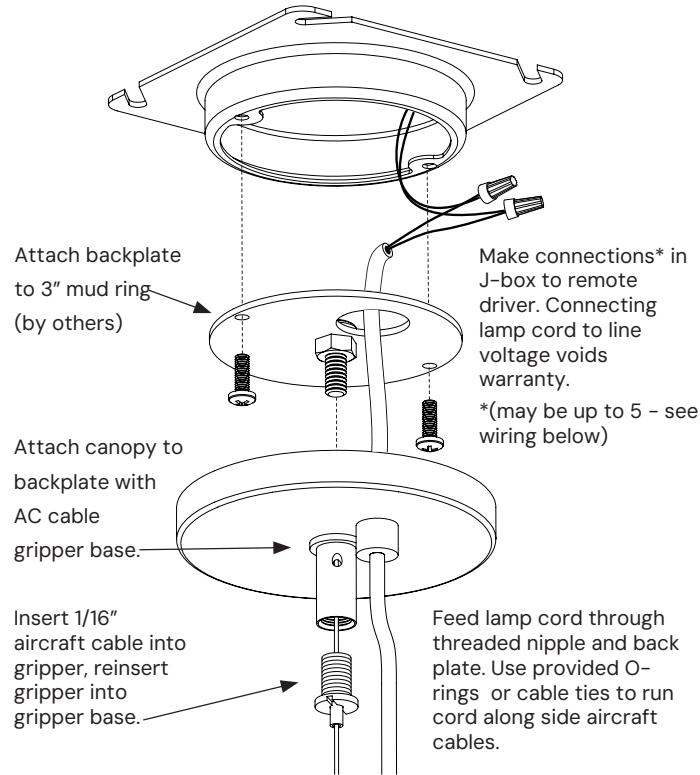
## 12258 INSTALLATION INSTRUCTIONS FOR: 180° Half-Circle Slim LED Ring Pendant Up and Down Light

### Safety Precautions:

- **Read Carefully:** Prior to installation or servicing, thoroughly read and understand all safety precautions and instructions. Failure to follow these guidelines may result in serious injury, electric shock, or property damage.
- **Qualified Installation:** It is strongly recommended that all wiring be performed by a licensed electrician. This fixture must be installed in compliance with all national and local electrical codes.
- **Avoid Wet Conditions:** Do not handle or attempt to energize the fixture with wet hands, or while standing on wet surfaces or in water. Do not install within 10 ft or less from the nearest edge of a pool, spa, fountain, or similar location
- **Verify Power Source:** Ensure the power source meets the fixture's requirements.



**WARNING:** RISK OF FIRE AND ELECTRICAL SHOCK. FIXTURE MUST BE INSTALLED BY A QUALIFIED ELECTRICIAN ONLY IN ACCORDANCE WITH NATIONAL, LOCAL BUILDING AND ELECTRICAL CODES. DISCONNECT POWER AT ELECTRICAL PANEL BEFORE SERVICING.

Remote driver housing has options for bar hangers for mount above suspended ceilings. Drivers must remain accessible after finished installation. Multiple driver housings must be spaced minimum 4 inches apart.  
Connect J-box to Driver housing with conduit (by others).

**Wiring:**  
**(Static White):**

Driver One: Red to DC positive }  
Blue to DC negative }

Driver Two: Red/White to DC positive }  
Blue/White to DC negative }

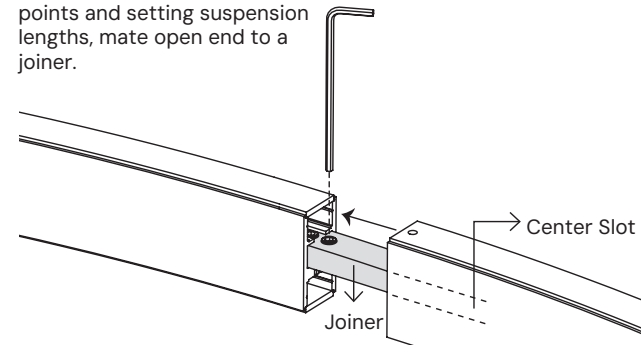
**Dimming:**

Standard (0-10V):  
Purple and Pink wires from driver to 0-10V dimmer. Cap if unused.

**(RGBW):**

Group 1 (red+) to red wire  
Group 2 (green+) to green wire  
Group 3 (blue+) to blue wire  
Group 4 (yellow+) to white wire  
Group 1-4 GND (black-) to black wires (common-) to blue(-) on power supply.

After making all mounting points and setting suspension lengths, mate open end to a joiner.



**CAUTION:** Insert joiner into center slot only. Inserting the joiner into upper or lower LED slots will result in damaged and/or broken LEDs.

Press both ends tightly together and secure set screw with hex wrench.

